

Nana

Tuoteseloste | Product description

Nana

Tuoteseloste

Runko

Kokopuurakenteinen runko on valmistettu vanerista ja havupuusta. Runko on pehmustettu vaahtomuovilla.

Pehmusteet

Istuimen pohjajousto tulee siksak-jousista, joiden päällä on suojakangas. Istuinpehmusteena on kerrosrakenteinen HR35 / HR25 vaahtomuovi ja pintapehmeys saadaan 400 g verhoiluvanulla.

Selkäytyynyt ovat HR25EP vaahtomuovia ja pintapehmeys saadaan 400g verhoiluvanulla.

Jalat

Jalat ovat metallia maalattuna alumiinin väriin tai saatavana myös kromattuna. Vaihtoehtoisesti saatavissa puiset jalat.

Verhoilu

Kiinteä tai irtoverhoilu kankaisena. Nahkaisena ainoastaan kiinteä verhoilu. Tyynyissä on vetoketjuilla irrotettavat päälliset.

Product description

Frame

The frame is made of massive wood and plywood. It is softened with polyurethane foam.

Padding

The base elasticity is from zigzag-springs, which are covered with technical fabric. The structure of seating is sandwich; bottom HR35 and top HR25. On the top there is 400 g polyester fiber.

The back is softened with HR25EP polyurethane foam covered with 400 g polyester fiber.

Legs

Legs are made of metal painted into colour of aluminium or also available in chromium. Wooden legs are also available for this product.

Upholstery

Fixed or loosen upholstery for fabric. Only fixed upholstery for leather. Loosen covers with zippers on the cushions.

Mitat | Measurements

| Osa Element | Kangasmen. Fabric req. m (140 cm) | Nahkamen. Leather req. sf. | Leveys Width cm | Syvyys Depth cm | Kork. Height cm | Ist.kork. Seat.height cm | Tilavuus Volume m ³ | Paino Weight kg |
|---------------------------------------------|-----------------------------------------|----------------------------------|-----------------------|-----------------------|-----------------------|--------------------------------|--------------------------------------|-----------------------|
| LT | 4,0 | 76 | 80 | 89 | 75 | 46 | 0,50 | 22 |
| 2 LS | 7,5 | 135 | 188 | 89 | 75 | 46 | 1,10 | 51 |
| 3 LS | 8,0 | 149 | 218 | 89 | 75 | 46 | 1,30 | 61 |
| LS 248 | 10,0 | 168 | 248 | 89 | 75 | 46 | 1,80 | 63 |
| B/C | 7,0 | 139 | 204 | 89 | 75 | 46 | 1,40 | 51 |
| DSO/DSV 248 | 12,0 | 222 | 248 | 146 | 75 | 46 | 1,80 | 76 |
| I/J | 5,5 | 125 | 174 | 89 | 75 | 46 | 1,20 | 41 |
| K | 3,7 | 75 | 89 | 89 | 75 | 46 | 0,60 | 26 |
| M/N | 3,0 | 54 | 94 | 89 | 75 | 46 | 0,70 | 25 |
| E 60x80 | 2,1 | 35 | 80 | 60 | 46 | 46 | 0,20 | 9 |
| Käsinojasuojapari Armrest covers | 1,4 | | | | | | | |
| Tyyny 40x40 höyhen Cushion 40x40 feather | 0,45 | 6 | 40 | 40 | 9 | | 0,01 | 0,60 |
| Tyyny 50x50 höyhen Cushion 50x50 feather | 0,55 | 9 | 50 | 50 | 9 | | 0,02 | 0,85 |



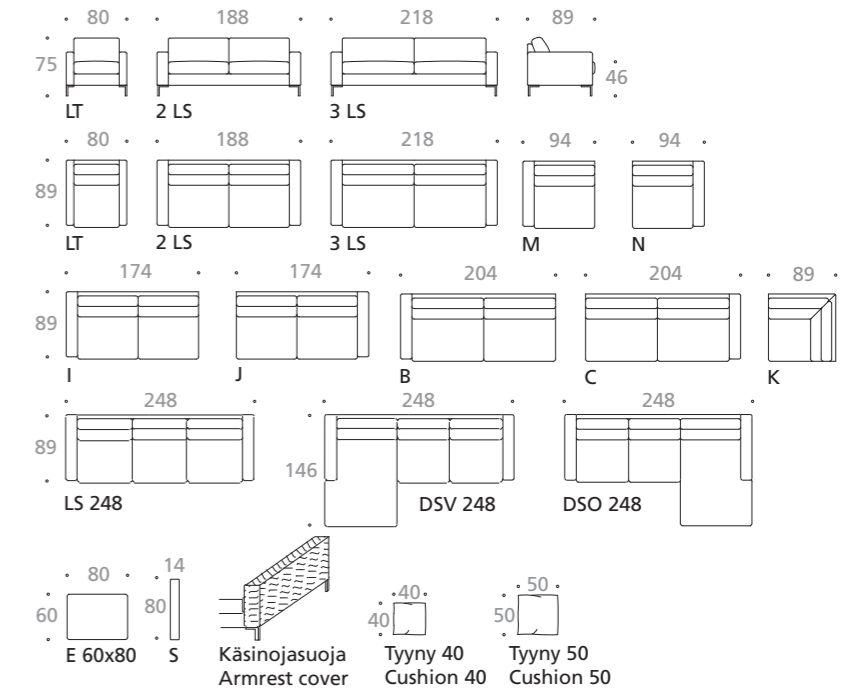
Nana

Osat | Elements

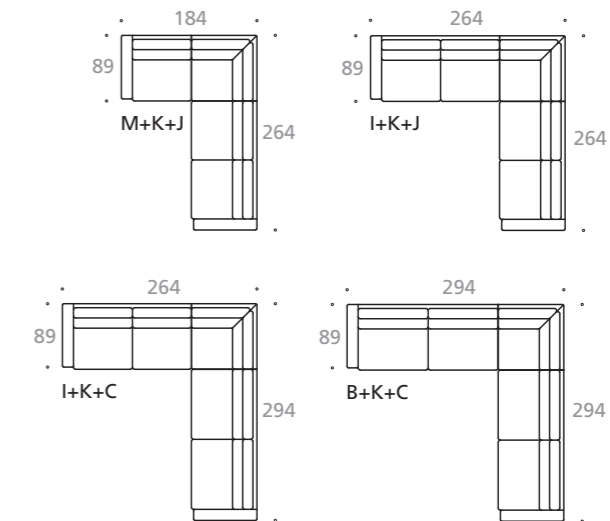
| Fixed upholstery | Kangaspäällisteet Fabric covers | | | | | | |
|-----------------------|-----------------------------------|-----|-----|-----|-----|-----|-----|
| Osa Element | F01 | F02 | F03 | F04 | F05 | F06 | F07 |
| LT | | | | | | | |
| 2 LS | | | | | | | |
| 3 LS | | | | | | | |
| LS 248 | | | | | | | |
| B/C | | | | | | | |
| DSO/DSV 248 | | | | | | | |
| I/J | | | | | | | |
| K | | | | | | | |
| M/N | | | | | | | |
| E 60x80 | | | | | | | |
| Chrome legs | | | | | | | |
| Armrest covers | | | | | | | |
| Cushion 40x40 feather | | | | | | | |
| Cushion 50x50 feather | | | | | | | |

| Fixed upholstery | Nahkapäällisteet Leather covers | | | | | | |
|-----------------------|-----------------------------------|-----|-----|-----|-----|-----|-----|
| Osa Element | L01 | L02 | L03 | L04 | L05 | L06 | L07 |
| LT | | | | | | | |
| 2 LS | | | | | | | |
| 3 LS | | | | | | | |
| LS 248 | | | | | | | |
| B/C | | | | | | | |
| DSO/DSV 248 | | | | | | | |
| I/J | | | | | | | |
| K | | | | | | | |
| M/N | | | | | | | |
| E 60x80 | | | | | | | |
| Cushion 40x40 feather | | | | | | | |
| Cushion 50x50 feather | | | | | | | |

| Loosen upholstery | Kangaspäällisteet Fabric covers | | | | | | |
|-------------------|-----------------------------------|-----|-----|-----|-----|-----|-----|
| Osa Element | F01 | F02 | F03 | F04 | F05 | F06 | F07 |
| LT | | | | | | | |
| 2 LS | | | | | | | |
| 3 LS | | | | | | | |
| LS 248 | | | | | | | |
| B/C | | | | | | | |
| DSO/DSV 248 | | | | | | | |
| I/J | | | | | | | |
| K | | | | | | | |
| M/N | | | | | | | |
| E 60x80 | | | | | | | |



Kokoonpanoesimerkkejä
Sample combinations



Jalkavaihtoehdot | Leg alternatives



Vakiojalka
- metallinen kulmajalka
- 20x20 mm, h 140 mm
- maalattuna alumiinin väriin

Standard leg
- L-shape metal leg
- 20x20 mm, h 140 mm
- painted into aluminium color

Vaihtoehtoinen jalka
- puinen neliöjalka
- 40x40 mm, h 140 mm
- koivua petsattuna eri väreihin

Alternative leg
- square wooden leg
- 40x40 mm, h 140 mm
- birch stained into different colors

Vaihtoehtoinen jalka
- pyöreä metalli- tai puujalka
- Ø 40 mm, h 140 mm
- metallijalka maalattuna alumiinin väriin ja puujalka koivua petsattuna eri väreihin

Alternative leg
- rounded metal or wooden leg
- Ø 40 mm, h 140 mm
- metal leg painted into aluminum color and wooden leg stained into different colors