

## Tatum

### Tuoteseloste | Product description

#### Tuoteseloste

- Design** Sisustusarkkitehti Hannele Bonsdorff (SIO)
- Runko** Kokopuurakenteinen runko on valmistettu vanerista ja havupuusta. Runko on pehmustettu vaahtomuovilla.
- Pehmusteet** Istuimen pohjajousto tulee kumivöistä, joiden päällä on suojakangas. Istuinpehmusteena on kerrosrakenteinen HR35 / HR25 vaahtomuovi ja pintapehmeys saadaan 300 g verhoiluvilla. Vuodesohvan istuinpehmusteena on X40EP vaahtomuovi ja pintapehmeys saadaan 300 g verhoiluvilla. Vuodemekanismi on sälepohjamekanismi ja patjan koko on 190x145 cm. Selkätyyny on lokeroituja höyhen-vanusekoitetyynyjä.
- Jalat** Jalat ovat koivua. Vaihtoehtoina L-jalka maalattuna alumiinin väriin tai pyöreä jalka, joka voidaan petsata eri väreihin.
- Verhoilu** Rungossa on kiinteä nahka- tai kangasverhoilu. Tyynyissä on vetoketjuilla irrotettava päällinen.

#### Product description

- Design** Interior Architect Hannele Bonsdorff (SIO)
- Frame** The frame is made of massive wood and plywood. It is softened with polyurethane foam.
- Padding** The base elasticity is from rubber belts, which are covered with technical fabric. The structure of seating is sandwich; bottom HR35 and top HR25. On the top there is 300 g polyester fiber. In the sofa bed the padding of the seat is X40EP polyurethane foam. On the top there is 300 g polyester fiber. The mechanism is mechanism with slats. The size of the mattress is 190x145 cm. The back cushions are box-structure filled with a mixture of feather and polyester fiber.
- Legs** Legs are made of birch. Can be chosen from L-shape leg painted into aluminium color or circle leg stained into different colors.
- Upholstery** Fixed leather or fabric upholstery on the frame. Loosen covers with zippers on the cushions.

#### Mitat | Measurements

| Osa<br>Element                              | Kangasmen.<br>Fabric req.<br>m (140 cm) | Nahkamen.<br>Leather req.<br>sf. | Leveys<br>Width<br>cm | Syvyys<br>Depth<br>cm | Kork.<br>Height<br>cm | Ist.kork.<br>Seat.height<br>cm | Tilavuus<br>Volume<br>m <sup>3</sup> | Paino<br>Weight<br>kg |
|---|---|----------------------------------|-----------------------|-----------------------|-----------------------|--------------------------------|--------------------------------------|-----------------------|
| 2 LS  | 7,5                                     | 131                              | 166                   | 88                    | 87                    | 41                             | 1,00                                 | 66                    |
| 3 LS  | 9,4                                     | 190                              | 226                   | 88                    | 87                    | 41                             | 1,30                                 | 93                    |
| 3 VS  | 9,9                                     | 180                              | 236                   | 88                    | 87                    | 41                             | 1,50                                 | 90                    |
| A   | 3,3                                     | 56                               | 60                    | 88                    | 87                    | 41                             | 0,40                                 | 21                    |
| 2A  | 5,0                                     | 98                               | 120                   | 88                    | 87                    | 41                             | 0,80                                 | 47                    |
| 3A  | 8,5                                     | 158                              | 180                   | 88                    | 87                    | 41                             | 1,20                                 | 49                    |
| B/C   | 9,0                                     | 170                              | 183                   | 112                   | 87                    | 41                             | 1,80                                 | 67                    |
| DV/DO                                       | 5,7                                     | 106                              | 94                    | 148                   | 87                    | 41                             | 0,80                                 | 37                    |
| E   | 2,4                                     | 33                               | 88                    | 65                    | 43                    | 41                             | 0,30                                 | 15                    |
| F   | 0,6                                     | 6                                | 50                    | 50                    | 10                    |                                | 0,03                                 | 1                     |
| G/H   | 5,0                                     | 95                               | 100                   | 115                   | 87                    | 41                             | 0,80                                 | 36                    |
| I/J   | 8,5                                     | 157                              | 207                   | 112                   | 87                    | 41                             | 1,60                                 | 74                    |
| L   | 3,6                                     | 52                               | 86                    | 88                    | 87                    | 41                             | 0,50                                 | 20                    |
| M/N   | 6,0                                     | 99                               | 127                   | 112                   | 87                    | 41                             | 1,60                                 | 35                    |
| O/P   | 4,4                                     | 77                               | 123                   | 88                    | 87                    | 41                             | 0,60                                 | 33                    |
| OX/XP                                       | 9,8                                     | 151                              | 211                   | 88                    | 87                    | 41                             | 1,30                                 | 63                    |
| S   | 1,5                                     | 24                               | 23                    | 88                    | 60                    |                                | 0,10                                 | 9                     |
| U   | 2,0                                     | 35                               | 60                    | 88                    | 43                    | 41                             | 0,40                                 | 14                    |
| VSV/VSO                                     | 8,9                                     | 156                              | 213                   | 88                    | 87                    | 41                             | 1,40                                 | 77                    |
| X   | 5,5                                     | 75                               | 88                    | 88                    | 87                    | 41                             | 0,70                                 | 37                    |
| YV/YO                                       | 8,8                                     | 166                              | 203                   | 88                    | 87                    | 41                             | 1,30                                 | 87                    |
| ZV/ZO                                       | 6,8                                     | 111                              | 143                   | 88                    | 87                    | 41                             | 1,00                                 | 46                    |
| Vuodevaatelaatikko<br>Bedding box           |   |                                  | 130                   | 70                    | 10                    |                                |                                      | 10                    |
| Vuodesohvan patja<br>Mattress of sofa bed   |   |                                  | 190                   | 145                   | 9                     |                                |                                      |                       |
| Rulotaso<br>Wooden tablet                   |   |                                  | 50                    | 40                    |                       |                                |                                      |                       |
| Tyyny 40x40 höyhen<br>Cushion 40x40 feather | 0,45                                    | 6                                | 40                    | 40                    | 9                     |                                | 0,01                                 | 0,60                  |
| Tyyny 50x50 höyhen<br>Cushion 50x50 feather | 0,55                                    | 9                                | 50                    | 50                    | 9                     |                                | 0,02                                 | 0,85                  |

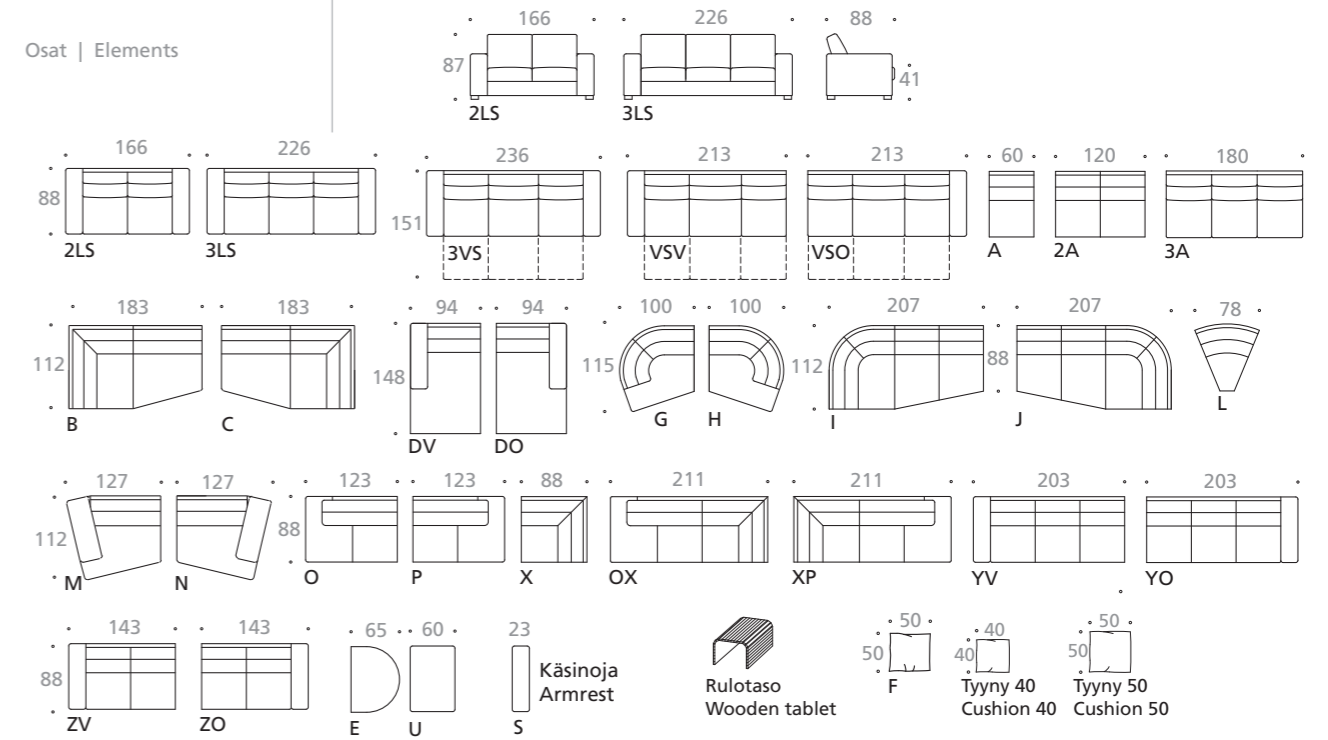


# Tatum

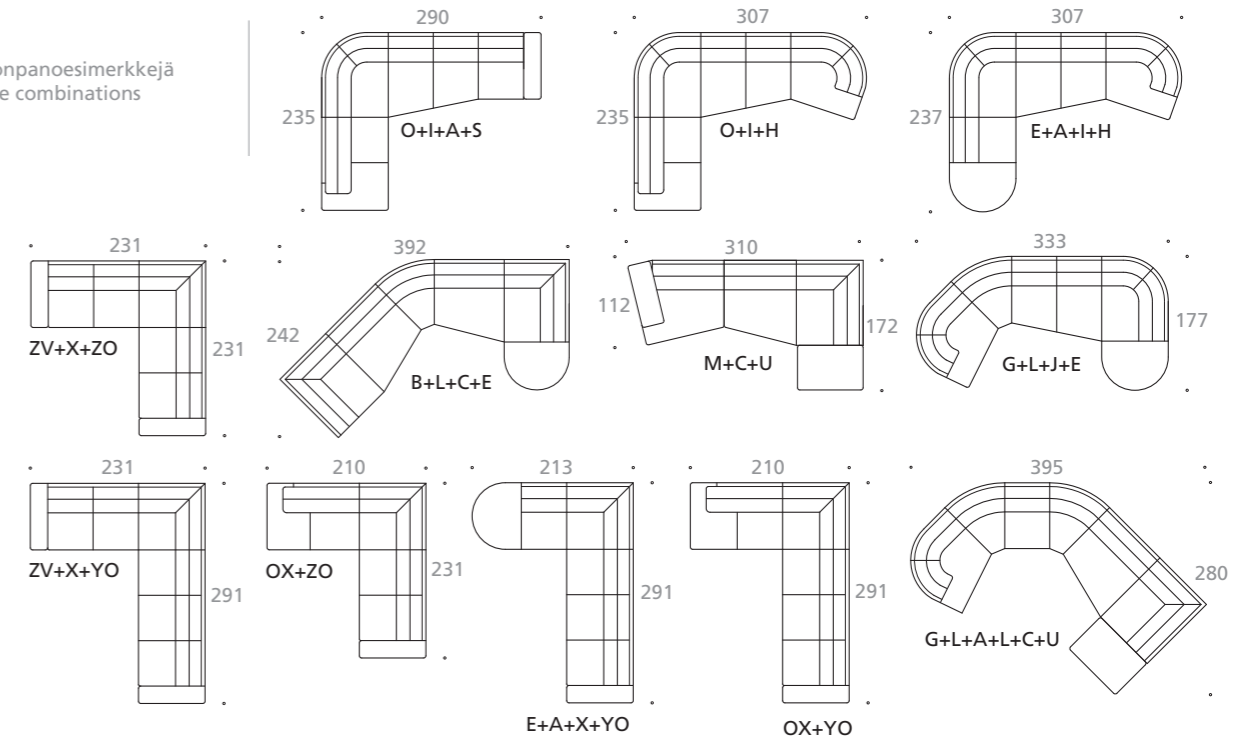
| Osa   Element         | Kangaspäällisteet   Fabric covers |     |     |     |     |     |     |
|-----------------------|-----------------------------------|-----|-----|-----|-----|-----|-----|
|                       | F01                               | F02 | F03 | F04 | F05 | F06 | F07 |
| 2 LS                  |                                   |     |     |     |     |     |     |
| 3 LS                  |                                   |     |     |     |     |     |     |
| 3 VS                  |                                   |     |     |     |     |     |     |
| A                     |                                   |     |     |     |     |     |     |
| 2A                    |                                   |     |     |     |     |     |     |
| 3A                    |                                   |     |     |     |     |     |     |
| B/C                   |                                   |     |     |     |     |     |     |
| DV/DO                 |                                   |     |     |     |     |     |     |
| E                     |                                   |     |     |     |     |     |     |
| F                     |                                   |     |     |     |     |     |     |
| G/H                   |                                   |     |     |     |     |     |     |
| M/N                   |                                   |     |     |     |     |     |     |
| I/J                   |                                   |     |     |     |     |     |     |
| L                     |                                   |     |     |     |     |     |     |
| O/P                   |                                   |     |     |     |     |     |     |
| OX/XP                 |                                   |     |     |     |     |     |     |
| S                     |                                   |     |     |     |     |     |     |
| U                     |                                   |     |     |     |     |     |     |
| VSV/VSO               |                                   |     |     |     |     |     |     |
| X                     |                                   |     |     |     |     |     |     |
| YV/YO                 |                                   |     |     |     |     |     |     |
| ZV/ZO                 |                                   |     |     |     |     |     |     |
| Bedding box           |                                   |     |     |     |     |     |     |
| Wooden tablet         |                                   |     |     |     |     |     |     |
| Cushion 40x40 feather |                                   |     |     |     |     |     |     |
| Cushion 50x50 feather |                                   |     |     |     |     |     |     |

| Osa   Element         | Nahkapäällisteet   Leather covers |     |     |     |     |     |     |
|-----------------------|-----------------------------------|-----|-----|-----|-----|-----|-----|
|                       | L01                               | L02 | L03 | L04 | L05 | L06 | L07 |
| 2 LS                  |                                   |     |     |     |     |     |     |
| 3 LS                  |                                   |     |     |     |     |     |     |
| 3 VS                  |                                   |     |     |     |     |     |     |
| A                     |                                   |     |     |     |     |     |     |
| 2A                    |                                   |     |     |     |     |     |     |
| 3A                    |                                   |     |     |     |     |     |     |
| B/C                   |                                   |     |     |     |     |     |     |
| DV/DO                 |                                   |     |     |     |     |     |     |
| E                     |                                   |     |     |     |     |     |     |
| F                     |                                   |     |     |     |     |     |     |
| G/H                   |                                   |     |     |     |     |     |     |
| M/N                   |                                   |     |     |     |     |     |     |
| I/J                   |                                   |     |     |     |     |     |     |
| L                     |                                   |     |     |     |     |     |     |
| O/P                   |                                   |     |     |     |     |     |     |
| OX/XP                 |                                   |     |     |     |     |     |     |
| S                     |                                   |     |     |     |     |     |     |
| U                     |                                   |     |     |     |     |     |     |
| VSV/VSO               |                                   |     |     |     |     |     |     |
| X                     |                                   |     |     |     |     |     |     |
| YV/YO                 |                                   |     |     |     |     |     |     |
| ZV/ZO                 |                                   |     |     |     |     |     |     |
| Cushion 40x40 feather |                                   |     |     |     |     |     |     |
| Cushion 50x50 feather |                                   |     |     |     |     |     |     |

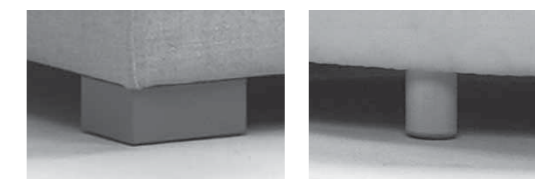
Osat | Elements



Kokoonpanoesimerkkejä  
Sample combinations



Jalkavaihtoehdot  
Leg alternatives



Vakiojalka  
- puinen kulmajalka  
- 130x130 mm  
- maalattuna ja petsattuna eri väreihin

Vaihtoehtoinen jalka  
- pyöreä puujalka  
- Ø 55 mm  
- koivua petsattuna eri väreihin

Standard leg  
- wooden leg  
- 130x130 mm  
- painted and stained into different colors

Alternative leg  
- rounded wooden leg  
- Ø 55 mm  
- birch stained into different colors